

The Hoshizaki 4HC-H water filter reduces chlorine taste and odor in ice. It also reduces dirt and rust and contains a food grade media that inhibits limescale build-up as tested by Everpure. The 4HC-H cartridge also limits the passage or growth of bacteria that may exist in the incoming water.

**IMPORTANT:** For Hoshizaki ice makers only. For use **only** with Hoshizaki Filtration Systems. Do not use with fountain or coffee machines. Do not filter condenser water. Never use saddle valve. Use minimum 1/2" tubing to and from filters.

### SELECTING A MOUNTING LOCATION

1. Give consideration to the weight of the unit when operating (filled with water). The operating weights of the Hoshizaki 4HC-H Systems are:
  - Single - 7 lbs (3.17 kg)
  - Twin - 15 lbs (6.80 kg)
  - Triple - 21 lbs (9.52 kg)
2. The location should allow for:
  - Minimum clearance of 2½" under the cartridge(s) so it can be lowered for removal and replacement.
  - Adequate space for "in" and "out" water line connections.
  - Be near a drain for flushing. See Figures 1-3.
3. If possible, keep at least 6" available to the left and the right of the system in the event poor quality water conditions require the installation of the optional Everpure E-Series Prefilter.

### OPERATING SPECIFICATIONS\*

- Temperature: 35-100°F (2-38°C)
- Pressure: 10-125 psi (0.7-8.6 bar), non-shock
- For cold water use only.

Combined Model Name	Replacement Cartridge	Flow Rate	Capacity
Hoshizaki Single - 4HC-H	4HC-H	2.0 GPM (7.57 Lpm)	21,000 gal (95,468 L)
Hoshizaki Twin - 4HC-H	4HC-H	4.0 gpm (15.14 Lpm)	42,000 gal (190,936 L)
Hoshizaki Triple - 4HC-H	4HC-H	6.0 gpm (22.71 Lpm)	63,000 gal (286,404 L)

\* For individual cartridge specifications, refer to cartridge literature.

### NOT FOR RESIDENTIAL USE. FOR FOOD SERVICE APPLICATIONS ONLY.

**WARNING:** Check for compliance with state and local laws and regulations. Do not use with water that is microbiologically unsafe or of unknown quality without adequate disinfection before or after the system.



Figure 1 - Hoshizaki Single System

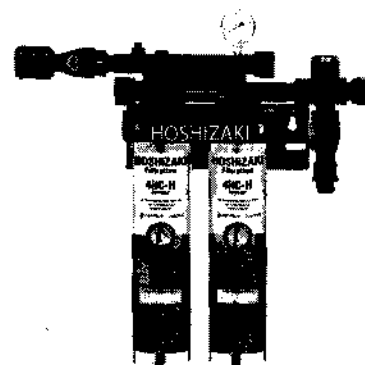


Figure 2 - Hoshizaki Twin System



Figure 3 - Hoshizaki Triple System

## PRODUCT APPLICATION GUIDE AND SYSTEM PART NUMBERS

Ice Machine Daily Production	Hoshizaki 4HC-H Filter System
Up to 250 lbs.	Hoshizaki Single - 4HC-H - EV9320-51
250 - 500 lbs.	Hoshizaki Single - 4HC-H - EV9320-51
630 lbs.	Hoshizaki Twin - 4HC-H - EV9320-52
700 - 900 lbs.	Hoshizaki Twin - 4HC-H - EV9320-52
900 - 1,250 lbs.	Hoshizaki Triple - 4HC-H - EV9320-53
1,300 - 2,400 lbs.	Hoshizaki Triple - 4HC-H - EV9320-53

### INSTALLATION

1. Use the predrilled mounting holes in the manifold bracket as guides. Mark and drill anchor holes. Mount securely. See Figures 5 – 8.
2. Shut off power to the ice machine.
3. Connect outlet port of the filter system to equipment served. Always use a NSF approved pipe dope or Teflon® tape at all connections. Use a backup wrench on all fittings while connecting to avoid excessive stress on the system components.

**Note:** If the optional Everpure® -Series Filter is used, install a manual shut-off valve leading to the system for servicing.

4. Connect water line to inlet side of the system. Use 3/8" minimum for single and 1/2" minimum for twin and triple.
5. The cross fitting at the outlet has a flushing valve installed on the bottom. Connect tubing to the flushing valve and run to drain.

**Note:** Some municipal plumbing codes and good sanitary practices require an air gap at the drain termination point.

6. Install only genuine Hoshizaki 4HC-H carbon filter cartridge(s) into the filter head(s) following directions on the cartridge label or as shown in the Cartridge Change illustrations.
7. Turn on water to filter and check for leaks.
8. Open the flushing valve and flush the cartridge(s) by running water through at full force for five (5) minutes. This will set the filtering media and purge air and fines, insuring maximum filter life. See illustrations.
9. After flushing, close the flushing valve and turn on power to equipment. The system is ready for operation.

### CARTRIDGE CHANGE DETERMINATION

- Complete cartridge change instructions can be found on the filter cartridge label.
- Replace the prefilter cartridge (if installed) whenever it becomes excessively dirty (observed visually or by flow restriction). Follow the change instructions provided with the cartridge.
- Replace 4HC-H filter cartridges when capacity is reached or when flow becomes inadequate, but at least annually.
- All carbon filter cartridges on multiple cartridge systems should be changed at the same time.
- The system pressure gauge provides a quick, simple means of determining when the filter cartridge(s) should be checked.

Installed on the system outlet manifold, the gauge can be used to monitor both dynamic (flowing) and static (line) pressure.

The cartridge(s) should be changed when the pressure gauge needle is in the red area while equipment is in operation, and yet the needle shows adequate line pressure between cycles. Observe the needle during the next equipment on cycle. If the needle registers adequate pressure, it can be assumed that the temporary low-pressure condition was caused by a brief power failure or other incoming pressure disruption.

- If the low pressure condition is not due to an external condition, check/change the prefilter first. If the low pressure condition is still not corrected, change the carbon filter cartridges.
- If the cartridges are new, have been properly flushed and both needle and follower register inadequate pressure you may be experiencing inadequate water pressure or some restriction may exist in the inlet water line. In either case, the incoming water pressure must be improved to receive optimum filter life.

### FLUSHING

**WARNING:** For maximum life, all carbon filter cartridges must be flushed for five minutes at full flow before use.

ALL NEW CARTRIDGES MUST BE FLUSHED AFTER EACH CARTRIDGE CHANGE BEFORE BEING PUT INTO SERVICE!

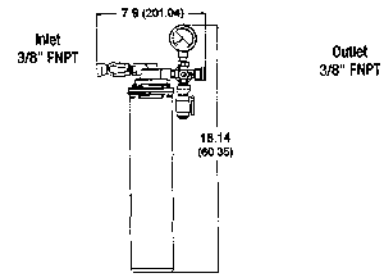


Figure 5 – Single System

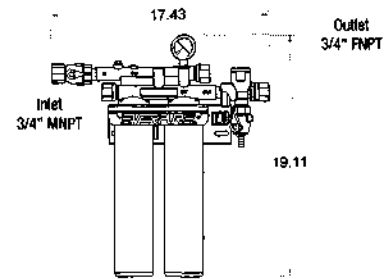


Figure 6 – Twin System

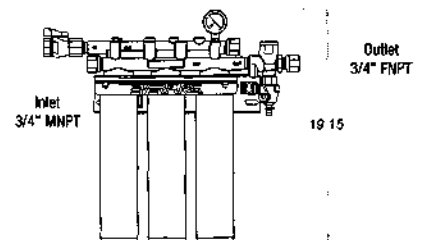


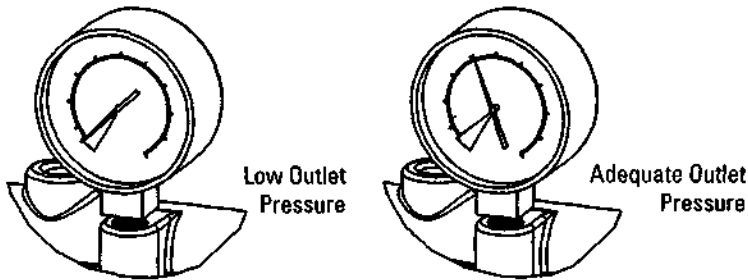
Figure 7 – Triple System

## REPLACEMENT PARTS

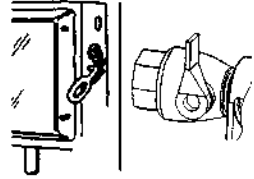
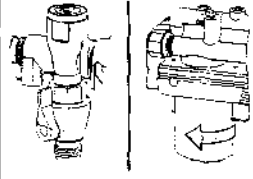
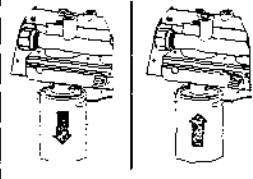
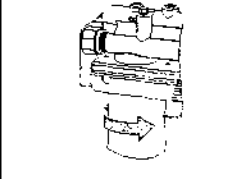
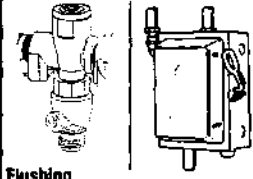
Contact your local Hoshizaki dealer for filter cartridges or system replacement parts.

Description	Part Number
4HC-H Cartridge 1 pk	EV9655-11
Outlet pressure gauge	EV3114-09
Inlet Valve (Single System)	EV3102-01
Inlet valve (twin & triple)	EV3114-07
Flushing Valve (single system)	EV3102-01
Flushing valve (twin & triple systems)	EV3114-07

## PRESSURE GAUGES



## CARTRIDGE CHANGE PROCEDURE

 <p><b>Filter Cartridge Change</b></p> <ol style="list-style-type: none"> <li>1. Shut off power to equipment. Shut off inlet water ahead of system.</li> </ol>	 <ol style="list-style-type: none"> <li>2. Open flushing valve to relieve pressure.</li> <li>3. Hold head firmly and push upward. Turn cartridge to left until it stops.</li> </ol>	 <ol style="list-style-type: none"> <li>4. Pull cartridge downward and out of head.</li> <li>5. Hold head firmly. Align cartridge lug with label. Insert new cartridge firmly into head.</li> </ol>	 <ol style="list-style-type: none"> <li>6. Turn cartridge right 90° until rotation stops.</li> <li>7. Repeat steps 3-6 for remaining cartridges.</li> </ol>	 <p><b>Flushing</b></p> <ol style="list-style-type: none"> <li>8. With flushing valve fully open, open inlet water at full force for five minutes. Close flushing valve.</li> <li>9. Turn on power to equipment</li> </ol>
--	---	---	--	--

For installations in Massachusetts, the Commonwealth of Massachusetts Plumbing Code 248 CMR shall be adhered to. Consult your licensed plumber for installation of the system. This system and its installation must comply with state and local regulations.



The 4HC-H System is Tested and Certified by NSF International against NSF/ANSI Standard 42 for the reduction of:

**Std. No. 42—Aesthetic effects**

**Aesthetic Effects**

Bacteriostatic Effects

Chemical Reduction

Taste & Odor

Chlorine

**Mechanical Filtration**

Nominal Particulate Class I

The term 'bacteriostatic' indicates that the system limits the passage or growth of bacteria that may already exist in the incoming water. It does not mean that the water leaving the system is safer to drink than the water entering the system.

# LIMITED WARRANTY

## COMMERCIAL WATER TREATMENT EQUIPMENT

You have just purchased one of the finest water treatment units made. As an expression of confidence in this product, Pentair Filtration Solutions, LLC ("PFS") offers the following product warranty. This product is warranted against material defects in materials and workmanship to the original end-user when installed in accordance with the PFS specifications. The warranty period commences on the date of purchase and is administered as follows:

**For a period of ONE YEAR Replaceable elements (i.e., filter & water treatment cartridges)\*  
For a period of ONE YEAR The entire system (excluding replaceable elements)**

The unit must be used in operating conditions that conform to PFS's recommended guidelines. This warranty will not apply if the unit has been modified, repaired or altered by someone not authorized by PFS.

**If a part described above is found to have a material defect in materials or workmanship within the specified warranty period, you should notify Pentair® Everpure technical service at the phone number listed below. Any part found materially defective within the terms of this warranty will be repaired or replaced (at PFS's discretion) by your local dealer or Pentair Everpure technical service. You pay only freight from our factory and local dealer charges. Any item repaired or replaced pursuant to this warranty will be covered under the original warranty terms of the system.**

PFS is not responsible for damage caused by accident, fire, flood, freezing, Act of God, misuse, misapplication, neglect, oxidizing agents (such as chlorine, ozone, chloramines and other related components), alteration, installation or operation contrary to our printed instructions, or by the use of accessories or components which do not meet PFS's specifications. Refer to the specifications section in the Installation and Operating manual for approved application parameters.

Our product performance specifications are furnished with each water treatment unit. **TO THE EXTENT PERMITTED BY LAW, EVERPURE DISCLAIMS ALL IMPLIED WARRANTIES, INCLUDING WITHOUT LIMITATION WARRANTIES OF MERCHANTABILITY AND FITNESS FOR PARTICULAR PURPOSE; TO THE EXTENT REQUIRED BY LAW, ANY SUCH IMPLIED WARRANTIES ARE LIMITED IN DURATION TO THE PERIOD SPECIFIED ABOVE FOR THE ENTIRE WATER TREATMENT UNIT.**

As a manufacturer, we do not know the characteristics of your water supply or the purpose for which you are purchasing this product. The quality of water supplies may vary seasonally or over a period of time, and your water usage rate may vary as well. Water characteristics can also differ considerably if this product is moved to a new location. For these reasons, we assume no liability for the determination of the proper equipment necessary to meet your requirements, and we do not authorize others to assume such obligations for us. Further, we assume no liability and extend no warranties, express or implied, for the use of this product with a non-potable water source or a water source which does not meet the conditions for use described in the owner's guide or performance data sheet for this product.

**OUR OBLIGATIONS UNDER THIS WARRANTY ARE LIMITED TO THE REPAIR OR REPLACEMENT (AT PFS'S DISCRETION) OF THE FAILED PARTS OF THE WATER TREATMENT UNIT, AND WE ASSUME NO LIABILITY WHATSOEVER FOR DIRECT, INDIRECT, INCIDENTAL, CONSEQUENTIAL, SPECIAL, GENERAL OR OTHER DAMAGES.**

Some states do not allow the exclusion of implied warranties or limitations on how long an implied warranty lasts, so the above limitation may not apply to you. Similarly, some states do not allow the exclusion of incidental or consequential damages, so the above limitation or exclusion may not apply to you. This warranty gives you specific legal rights, and you may also have other rights which vary from state to state.

\*Warranty applies to material defects in materials & workmanship only.



**HOSHIZAKI FILTRATION**

by



**PENTAIR EVERPURE**

### FILTRATION & PROCESSING SOLUTIONS

**EVERPURE-SHURFLO WORLD HEADQUARTERS**, 1040 MUIRFIELD DRIVE, HANOVER PARK, IL 60133 USA • WWW.EVERPURE.COM  
800.942.1153 (US ONLY) • 630.307.3000 MAIN • 630.307.3030 FAX • CSEVERPURE@PENTAIR.COM EMAIL

**EVERPURE-SHURFLO AUSTRALIA**, 1-21 MONASH DRIVE, DANDENONG SOUTH, VIC 3175, AUSTRALIA  
011.1300.576.190 TEL • 011.61.39.562.7237 FAX • AU.EVERPURE@PENTAIR.COM EMAIL

**EVERPURE-SHURFLO CHINA**, 21F CLOUD 9 PLAZA, NO 1118, SHANGHAI, 200052, CHINA  
86.21.3211.4588 TEL • 86.21.3211.4580 FAX • CHINA.WATER@PENTAIR.COM EMAIL

**EVERPURE-SHURFLO INDIA**, GREEN BOULEVARD, B-9/A, 7TH FLOOR - TOWER B SECTOR 62, NOIDA - 201301  
91.120.419.9444 TEL • 91.120.419.9400 FAX • INDIACUSTOMER@PENTAIR.COM EMAIL

**EVERPURE-SHURFLO EUROPE**, PENTAIR WATER BELGIUM BVBA, INDUSTRIEPARK WOLFSTEE, TOEKOMSTLAAN, 30 B-2200 HERENTALS, BELGIUM  
+32.(0).14.283.500 TEL • +32.(0).14.283.505 FAX • SALES@EVERPURE-EUROPE.COM EMAIL

**EVERPURE-SHURFLO JAPAN INC.**, HASHIMOTO MN BLDG. 7F, 3-25-1 HASHIMOTO, MIDORI-KU, SAGAMIHARA-SHI KANAGAWA 252-0143, JAPAN  
81.(0)42.775.3011 TEL • 81.(0)42.775.3015 FAX • INFO@EVERPURE.CO.JP EMAIL

**EVERPURE-SHURFLO SOUTHEAST ASIA**, SOUTHEAST ASIA, 390 HAVELOCK ROAD, #04-01 KING'S CENTRE, SINGAPORE 169662  
65.6768.5800 TEL • FAX: 65.6737.5149 FAX • CSEVERPURE@PENTAIR.COM EMAIL

All Pentair trademarks and logos are owned by Pentair, Inc. or its affiliates. All other registered and unregistered trademarks and logos are the property of their respective owners. Because we are continuously improving our products and services, Pentair reserves the right to change specifications without prior notice.

Pentair is an equal opportunity employer.